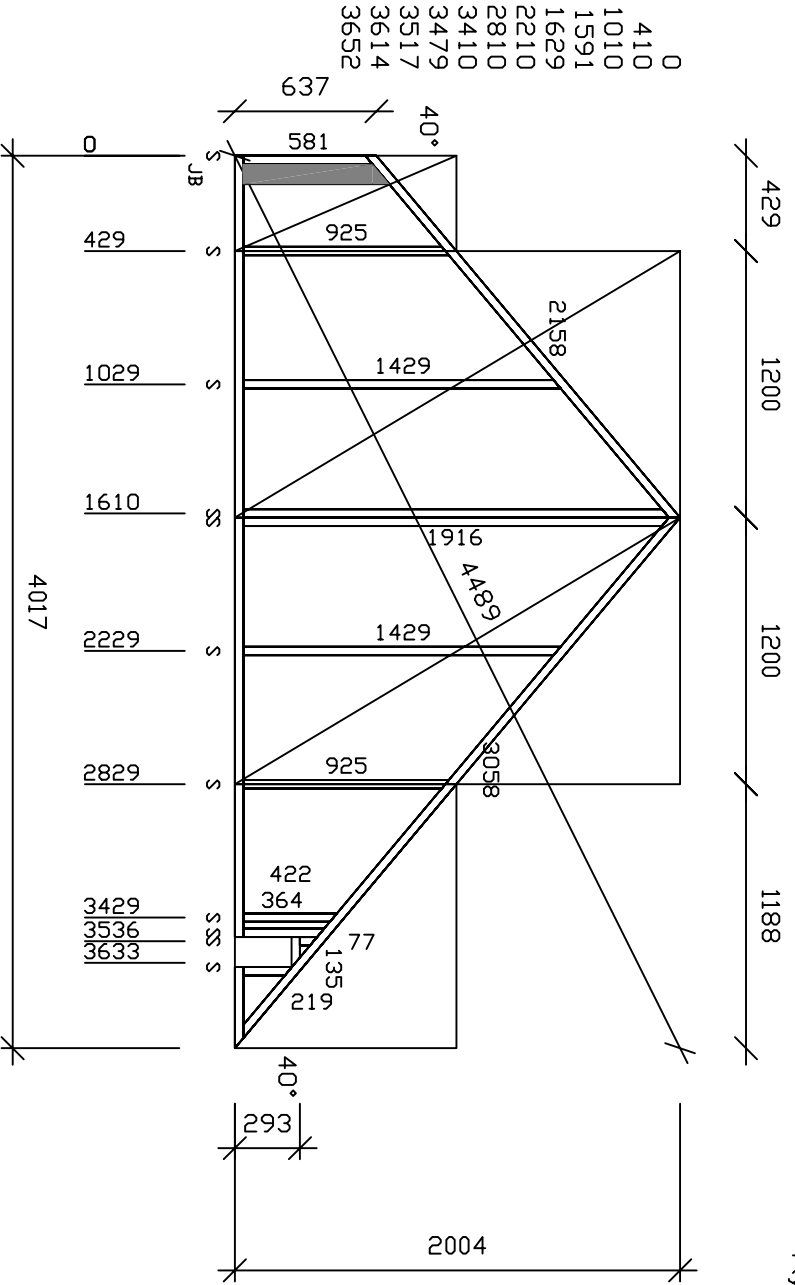


Bottom Rail (EXT)	38 x	89 x	365	1	40.0	90.0
Bottom Rail (EXT)	38 x	89 x	3517	1	90.0	90.0
Top Rail (EXT)	38 x	89 x	2158	1	50.0	50.0
Top Rail (EXT)	38 x	89 x	3058	1	50.0	40.0
Vertical Stud (EXT)	38 x	89 x	77	1	90.0	50.0
Vertical Stud (EXT)	38 x	89 x	219	1	90.0	50.0
Vertical Stud (EXT)	38 x	89 x	364	1	90.0	50.0
Vertical Stud (EXT)	38 x	89 x	422	1	90.0	50.0
Vertical Stud (EXT)	38 x	89 x	581	1	90.0	50.0
Vertical Stud (EXT)	38 x	89 x	925	2	90.0	50.0
Vertical Stud (EXT)	38 x	89 x	1429	2	90.0	50.0
Vertical Stud (EXT)	38 x	89 x	1916	2	90.0	50.0
Noggin (EXT)	38 x	89 x	135	1	90.0	90.0
Junction Block	89 x	38 x	656	1	0.0	50.0
Ply to frame	429 x	9.0 x	997	1	90.0	90.0
Ply to frame	1188 x	9.0 x	997	1	90.0	90.0
Ply to frame	1200 x	9.0 x	2004	2	90.0	90.0



Cladding Nailing : 150/300

ROOF PANELS	FX 301-12
SJD	38x89
April 17, 2008	