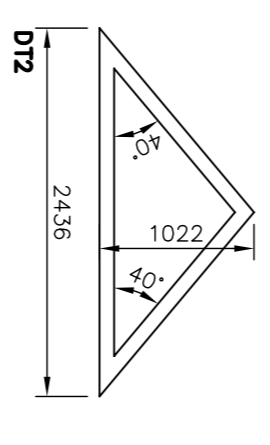
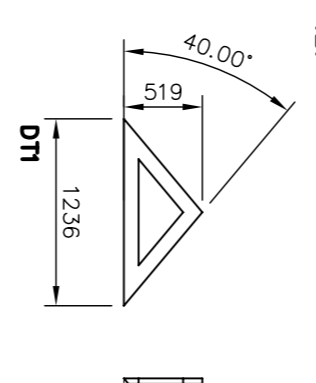
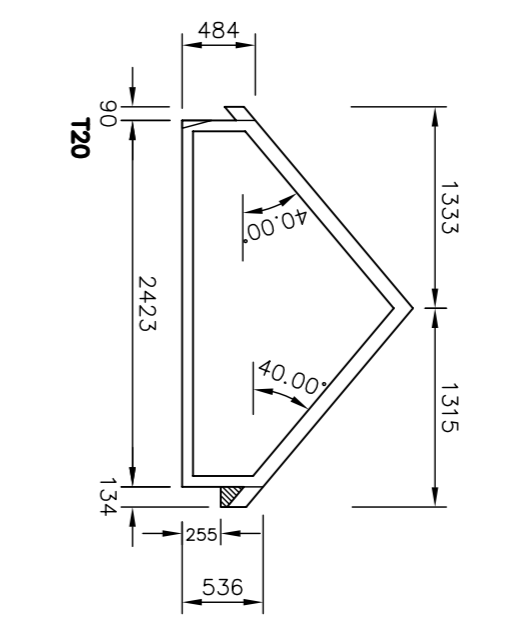
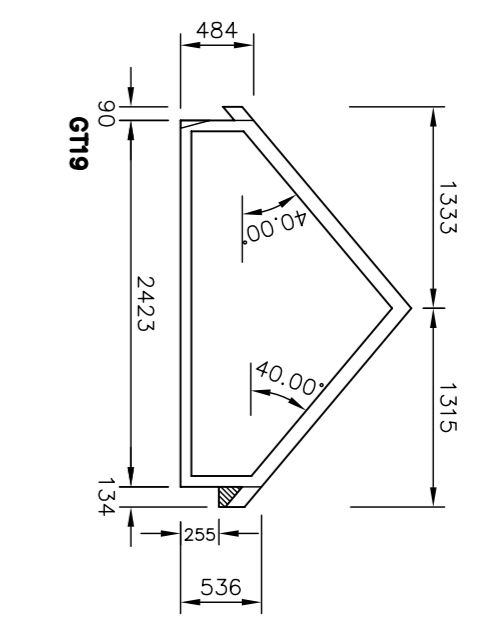
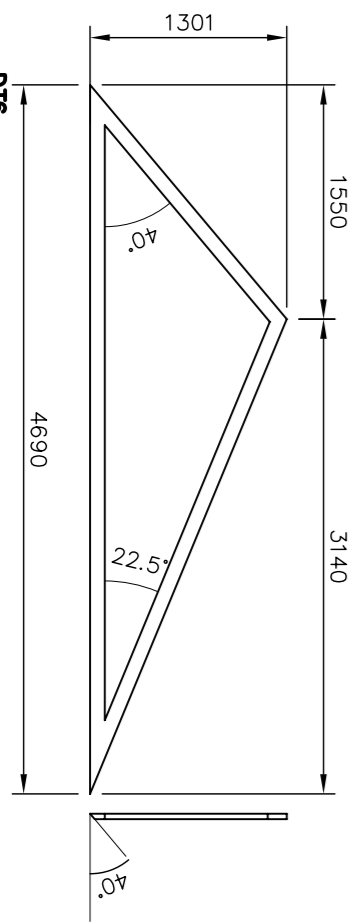
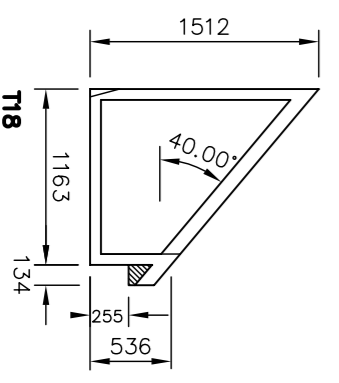
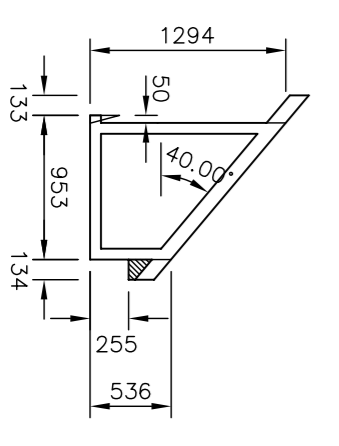
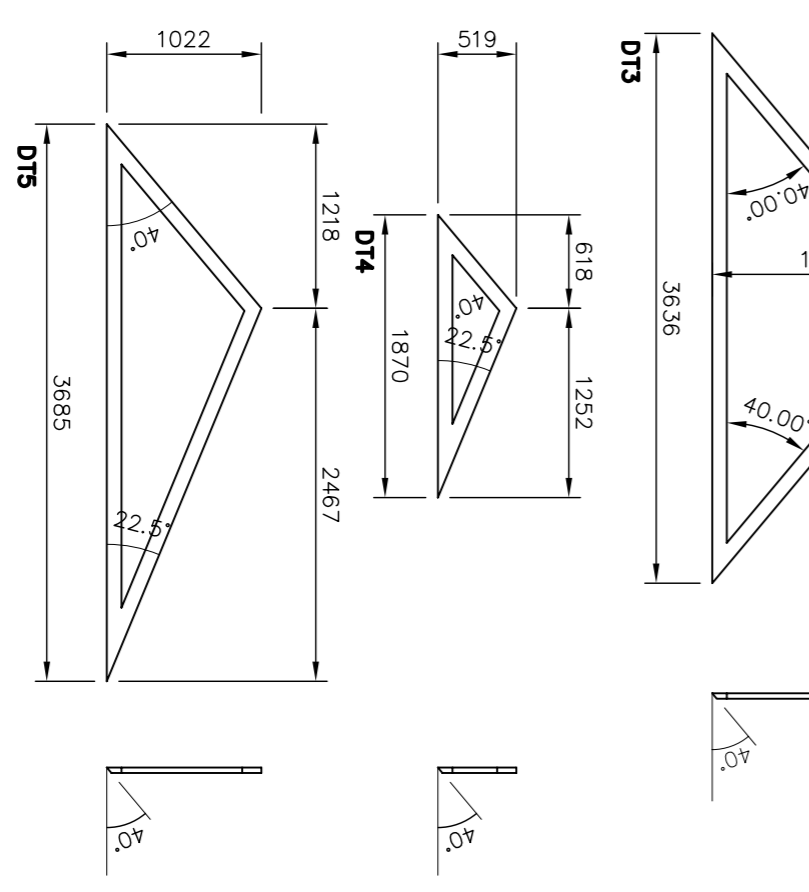
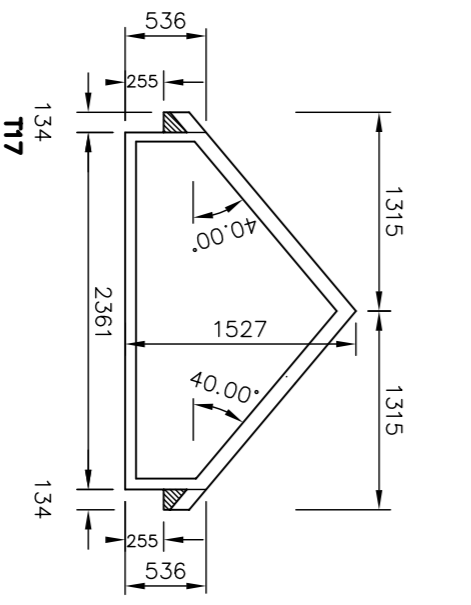
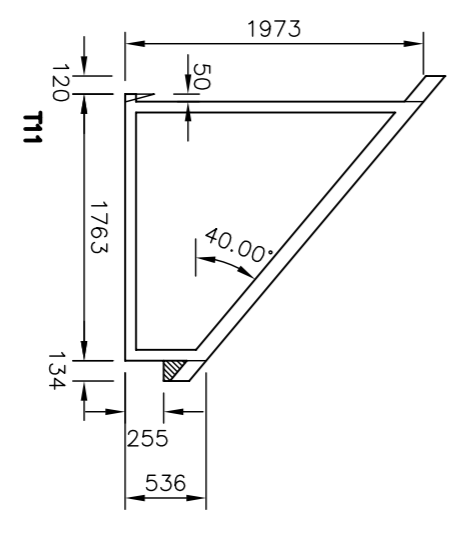
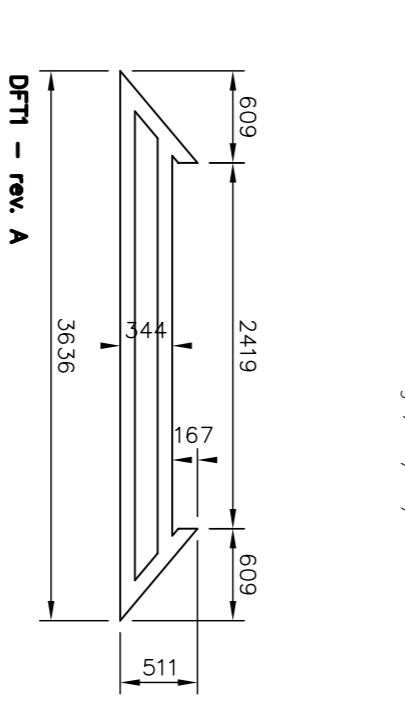
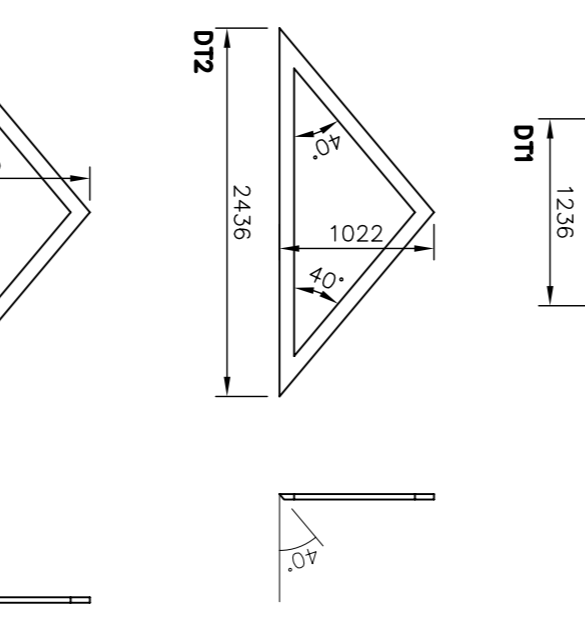
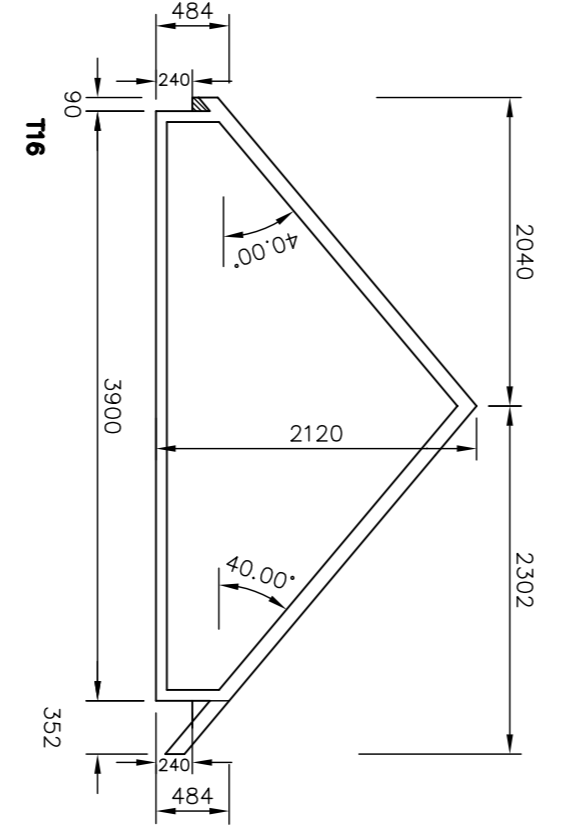
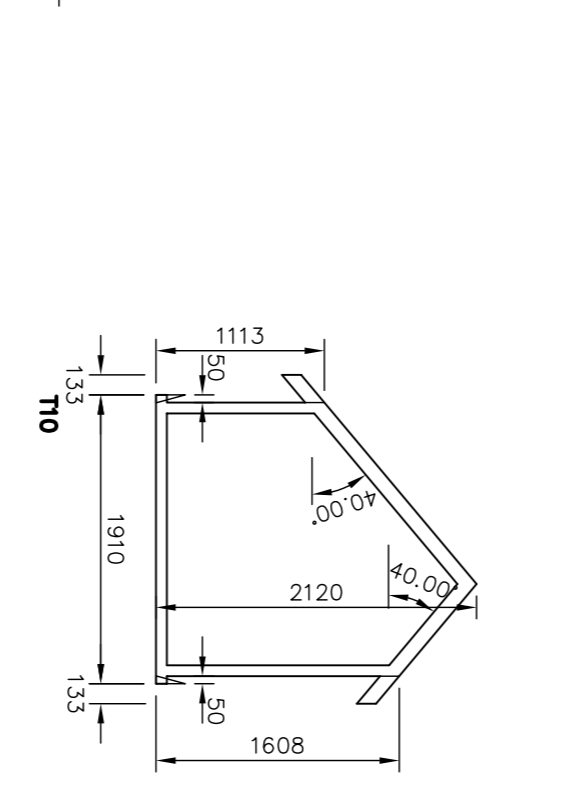
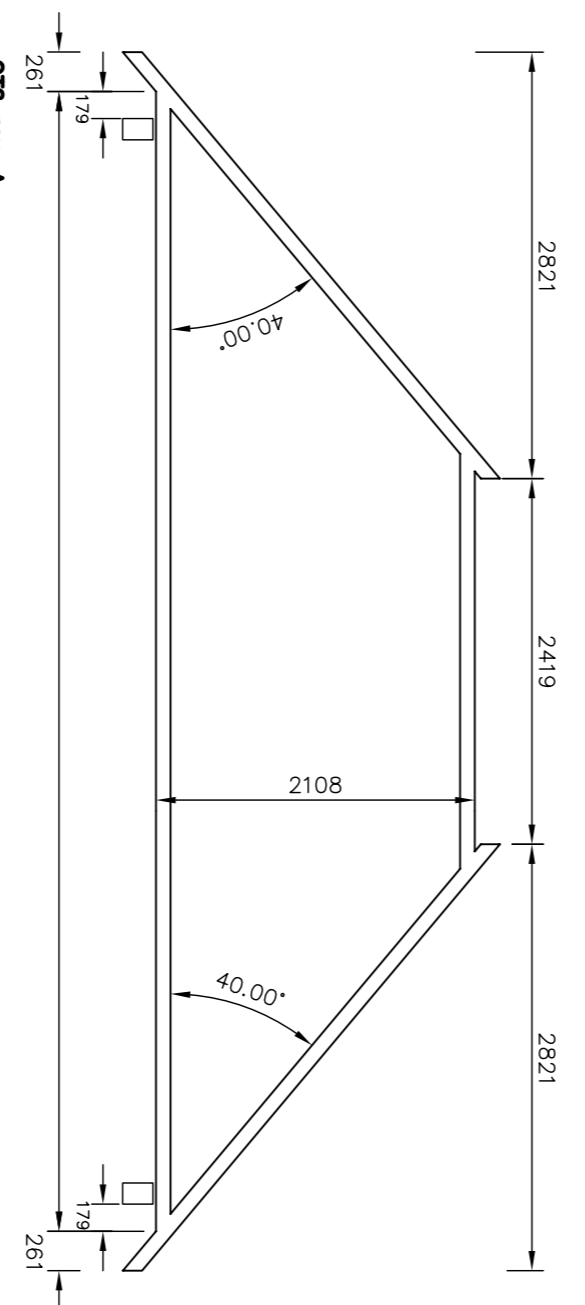
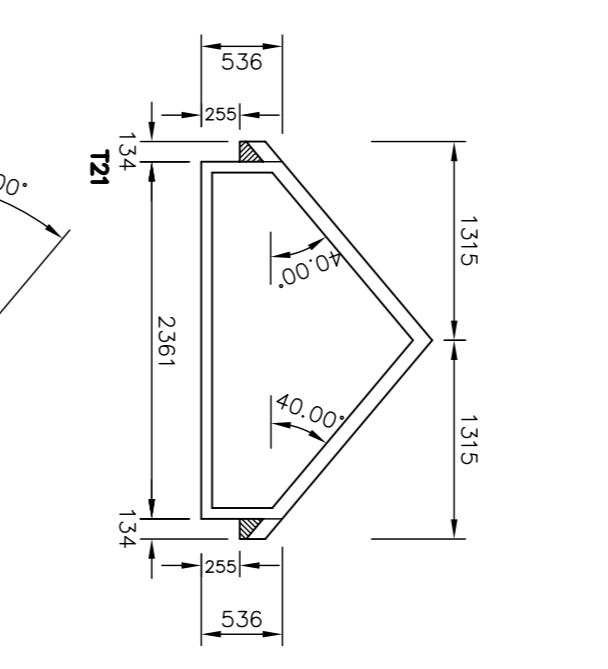
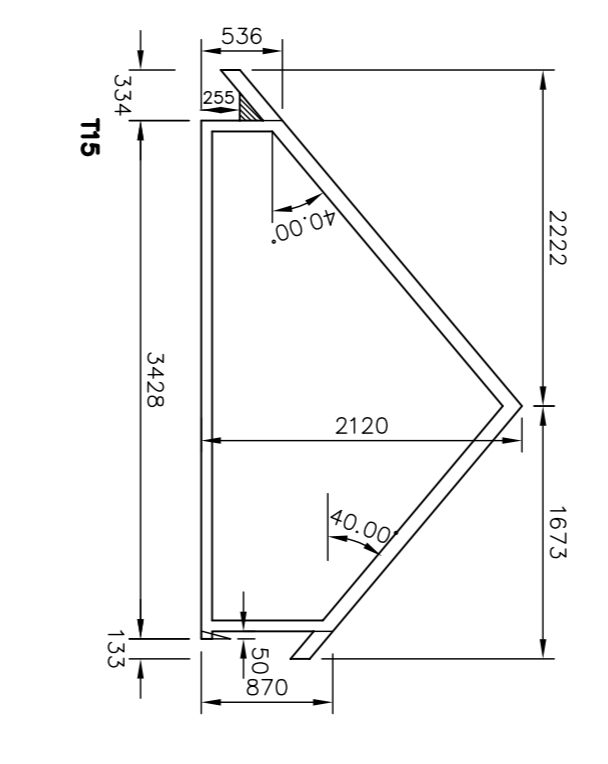
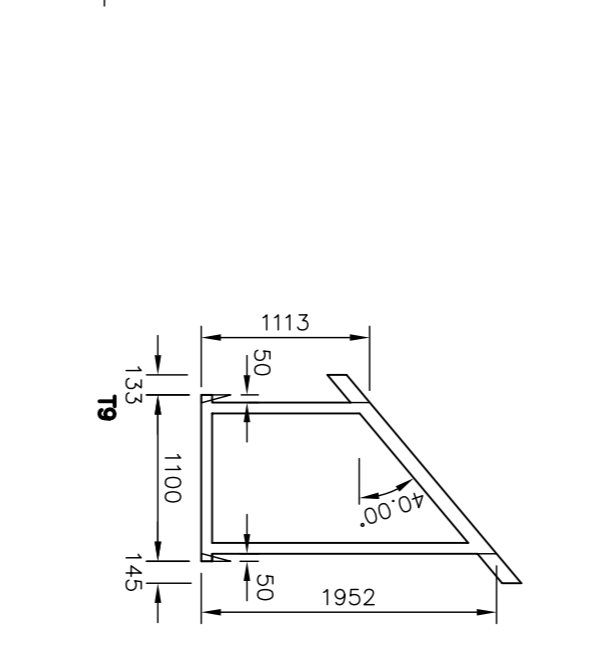
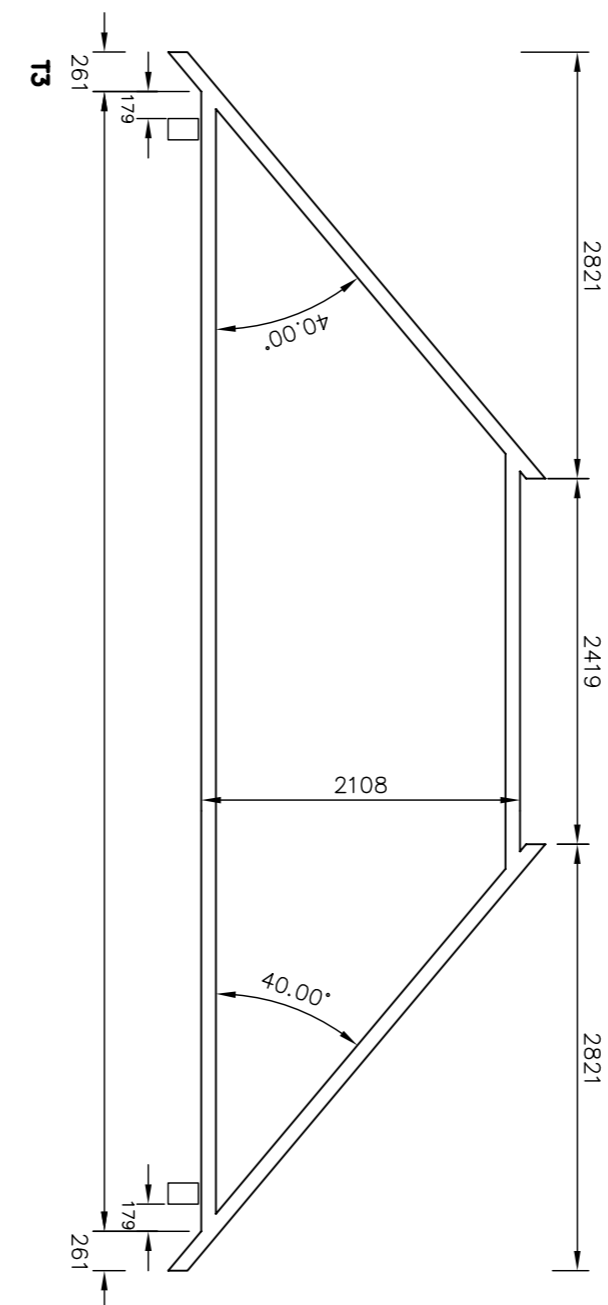
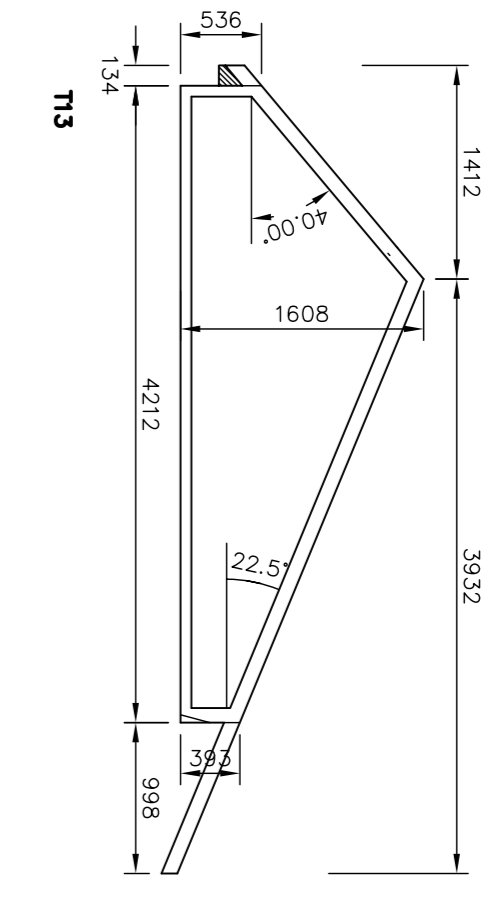
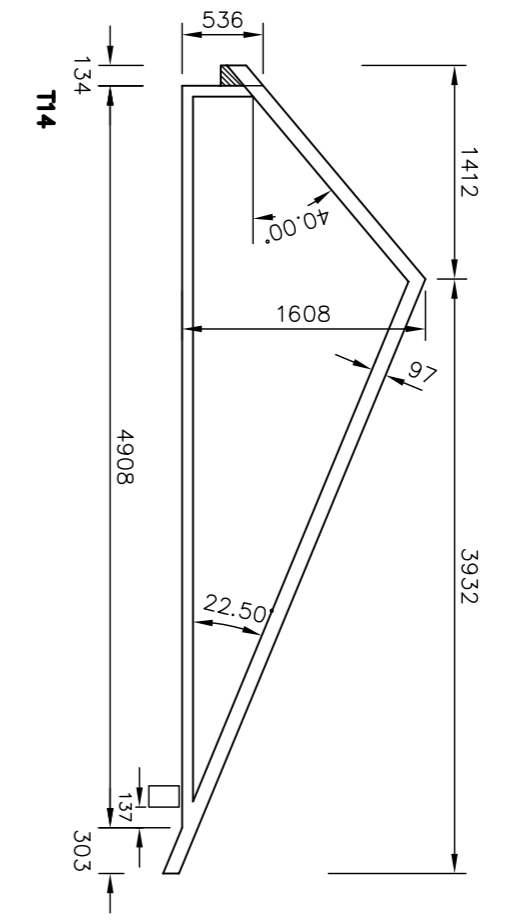
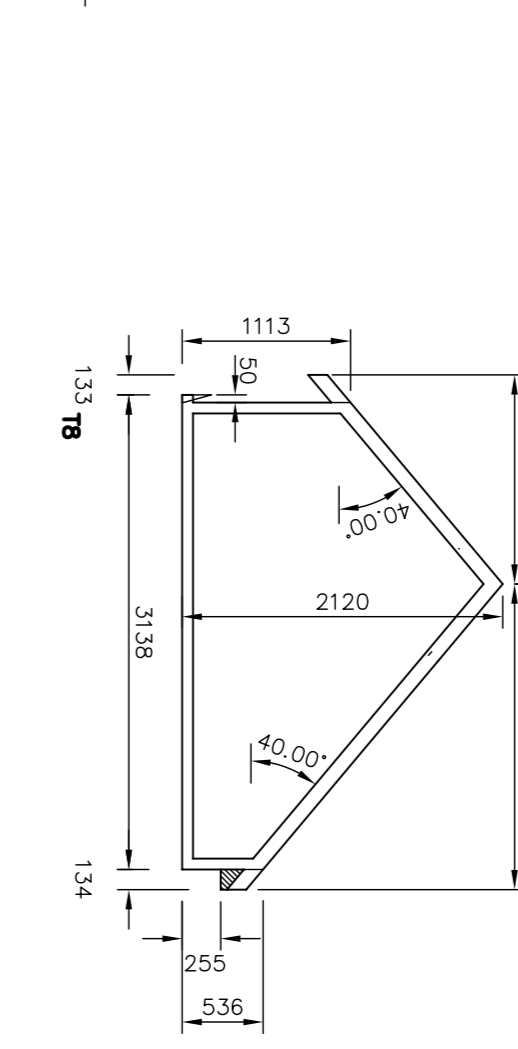
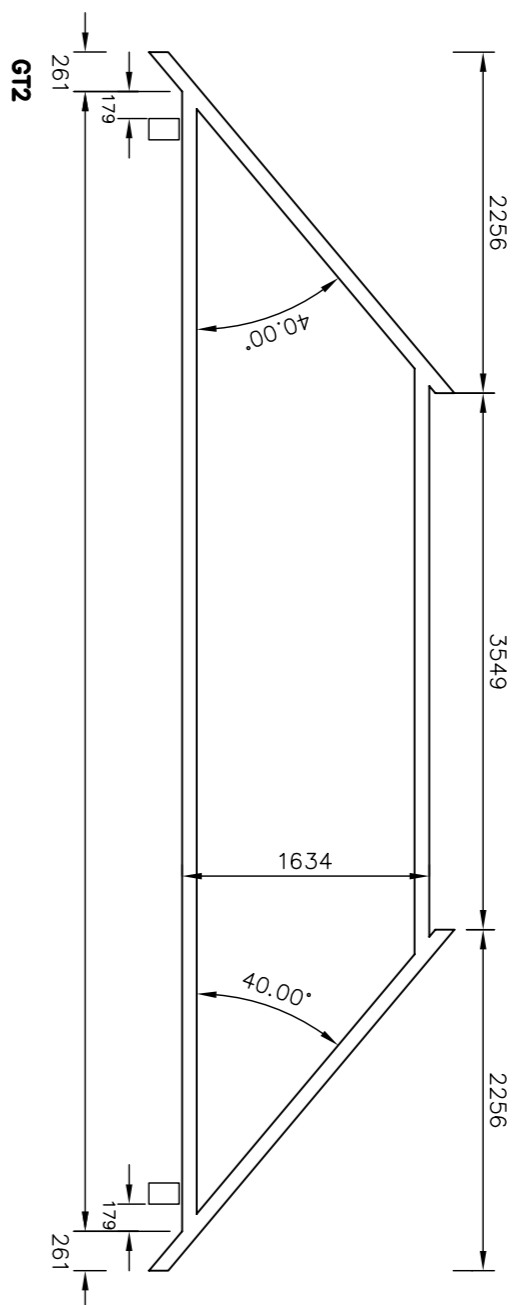
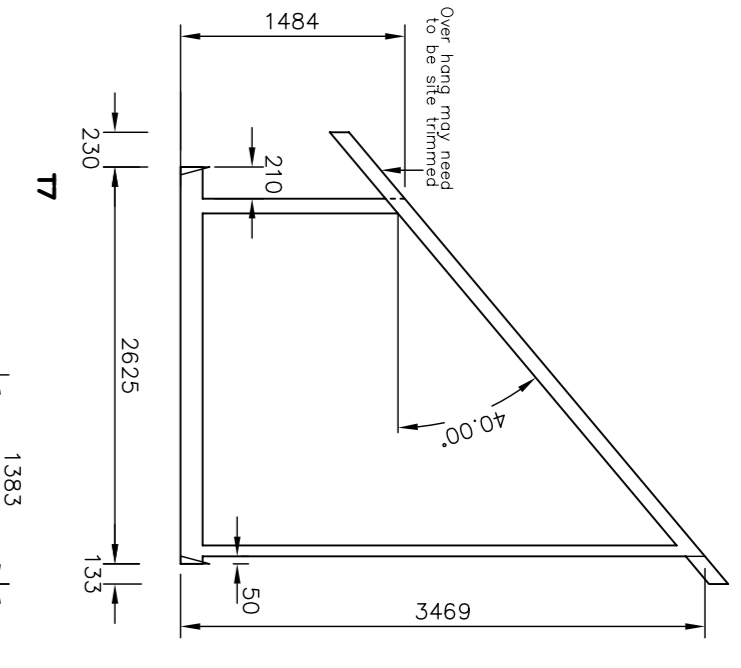
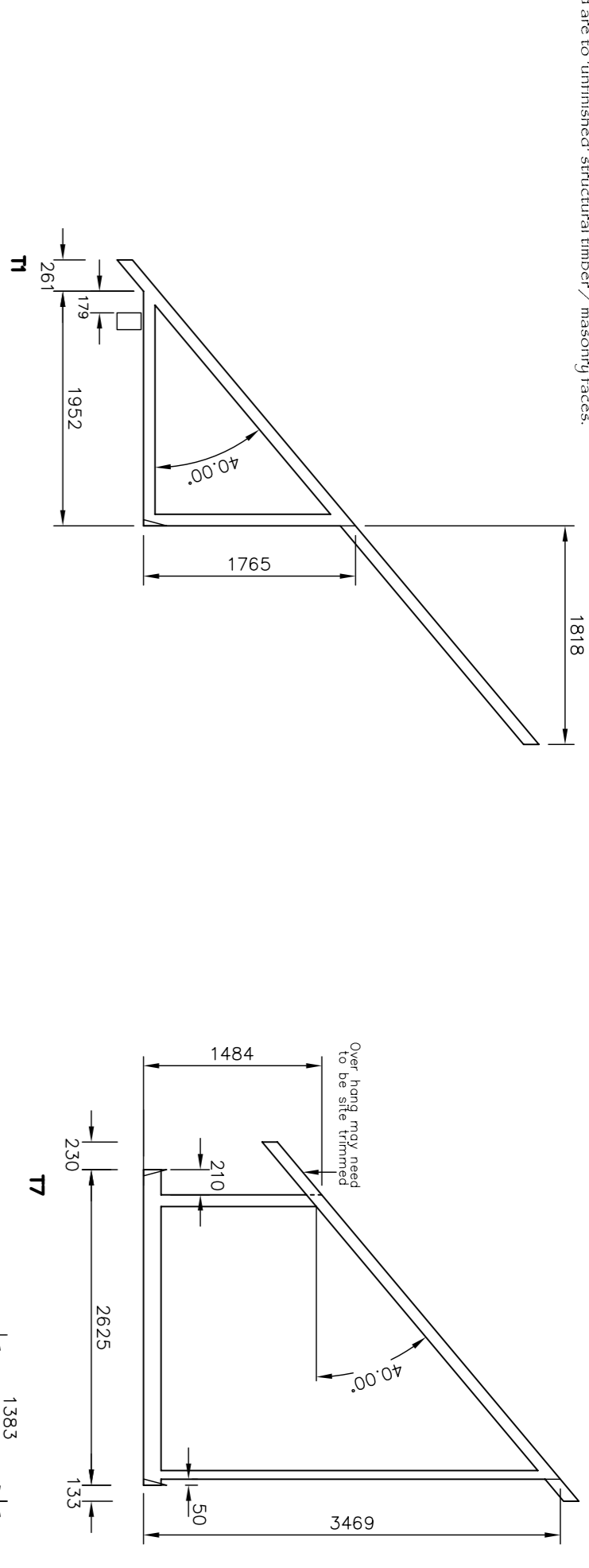


Dimensions indicated are to unfinished structural timber / masonry faces.



FOR CONSTRUCTION
PRELIMINARY
FOR APPROVAL

Scale	1/50	Date	14th 2008	Drawn	SD	Chk.	
Cont. No.	PN08/03	Draw. No.	MZ(1)				
<p>SPENCER JONES DESIGN LTD TIMBER FRAME DESIGNERS 174, LASHBARI HOUSE, LINDFIELD, ST BRIDGEMOUTH, SALISBURY, WILT, BA8 3JL TEL: 01753 788383 FAX: 01753 788273 EMAIL: SPENCER@SPENCERJONESDESIGN.COM</p>							
Rev. / Date	Amendment						
Client	ANOTHER GOOD DESIGN						
Site	SOMEBHERE NICE						
Drawing Title	ROOF MANUFACTURE						