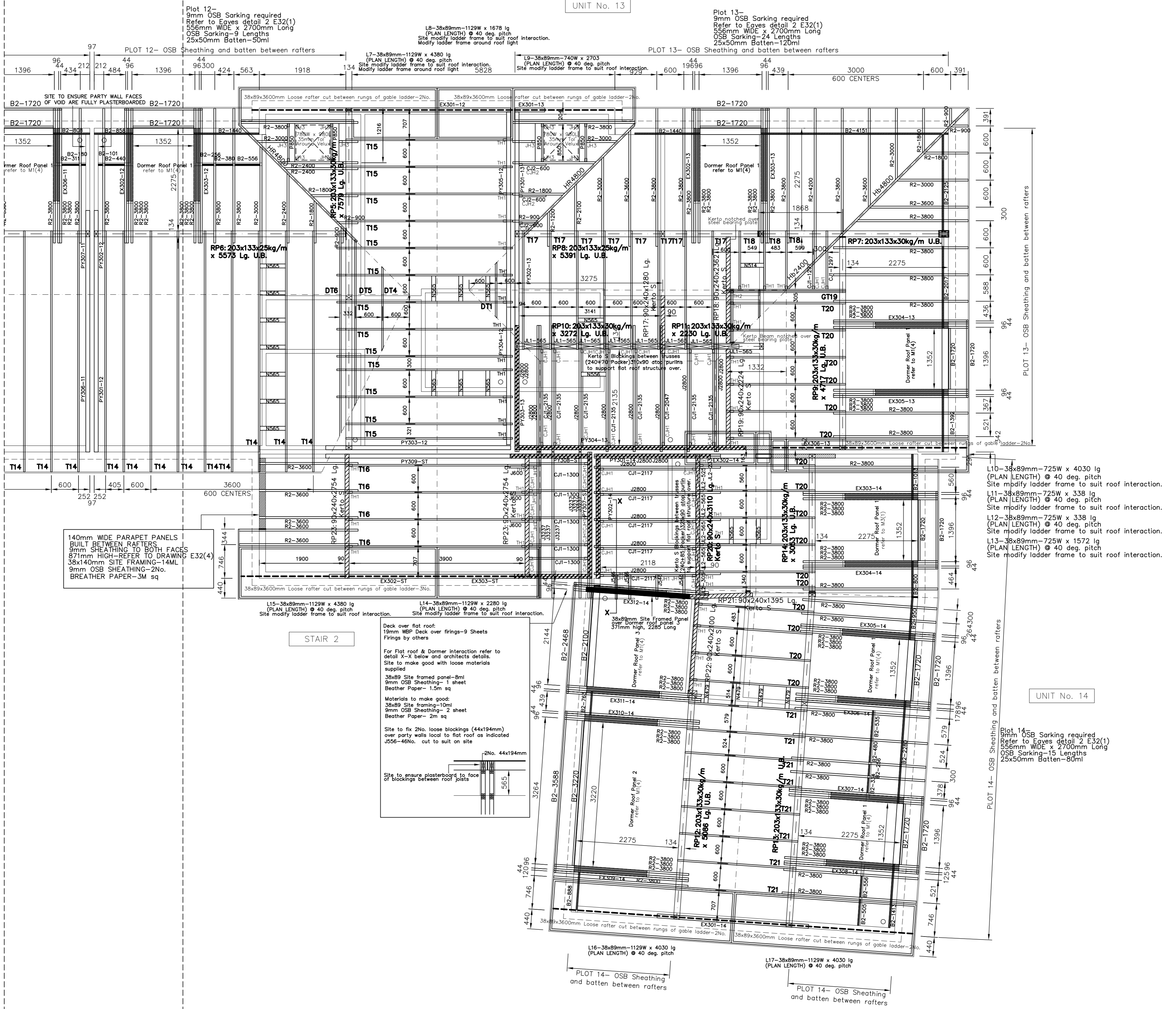


Part 1  
Part 2

UNIT No. 13

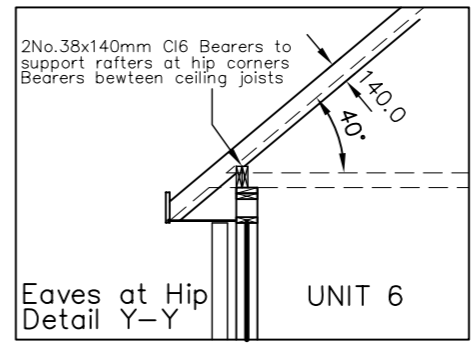
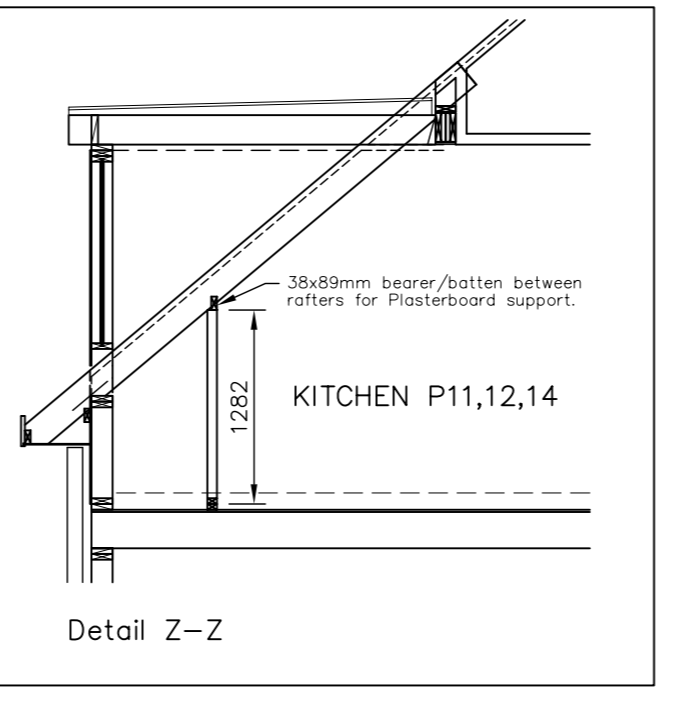
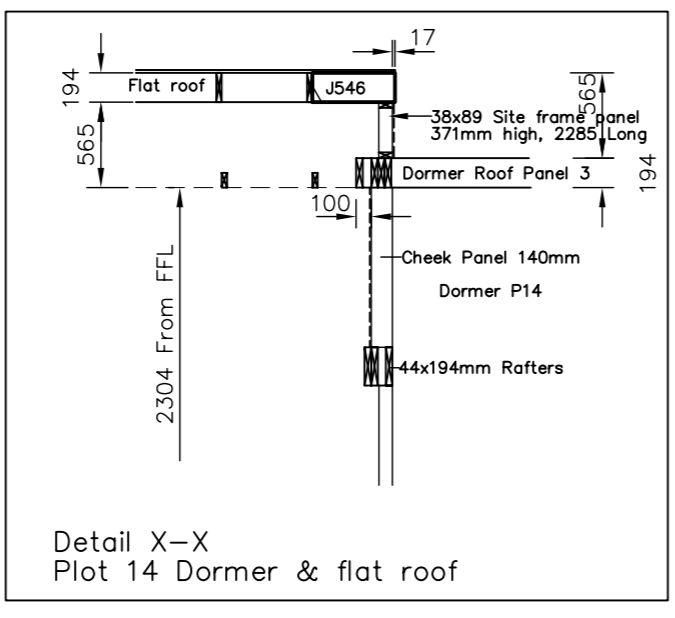
UNIT No. 14



140mm WIDE PARAPET PANELS BUILT BETWEEN RAFTERS 9mm SHEATHING TO BOTH FACES 87mm HIGH - REFER TO DRAWING E32(4) 38x140mm SITE FRAMING - 14ML 9mm OSB SHEATHING - 2No. BREATHER PAPER - 3M sq

STAIR 2

Deck over flat roof:  
19mm WSP Deck over firings - 9 Sheets Firings by others  
For Flat roof & Dormer interaction refer to detail X-X below and architects details.  
Site to make good with loose materials supplied  
38x89 Site framed panel - 8ml 9mm OSB Sheathing - 1 sheet Breather Paper - 1.5m sq  
Materials to make good:  
38x89 Site framing - 10ml 9mm OSB Sheathing - 2 sheet Breather Paper - 2m sq  
Site to fix 2No. loose blockings (44x194mm) over party walls local to flat roof as indicated J556-46No. cut to suit on site  
Site to ensure plasterboard to face of blockings between roof joists



FOR CONSTRUCTION  
 PRELIMINARY  
 FOR APPROVAL

Rev.	Date	Amendment

Client: ANOTHER GOOD DESIGN  
Site: SOMEWHERE NICE  
Drawing Title: ROOF PLAN

SPENCER JONES DESIGN Ltd  
TIMBER FRAME DESIGNERS  
F14 LASYARD HOUSE, UNDERHILL ST  
BRIDGNORTH, SHROPSHIRE, WY16 4BB  
TEL: 01746 768636 FAX: 01746 768273  
E-MAIL: INFO@SPENCERJONESDESIGN.CO.UK

Scale: 1/50 A2 Date: MAR 2008 Drawn: SD Chk:     
Cont. No: PW08/03 Dwg. No: E30(2)