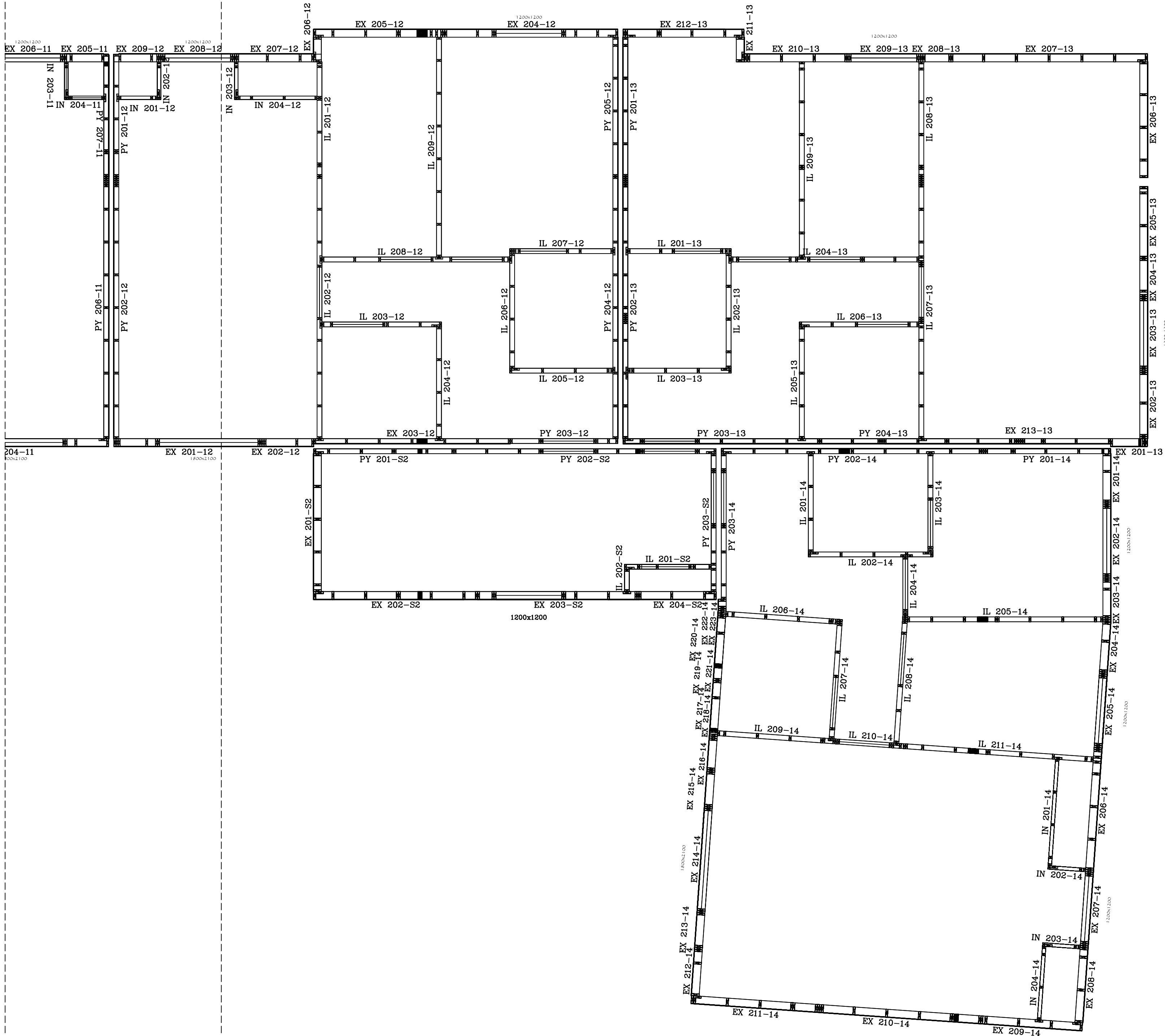


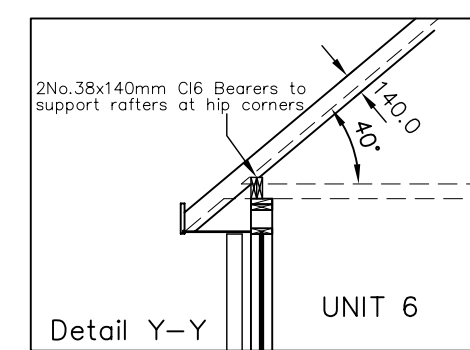
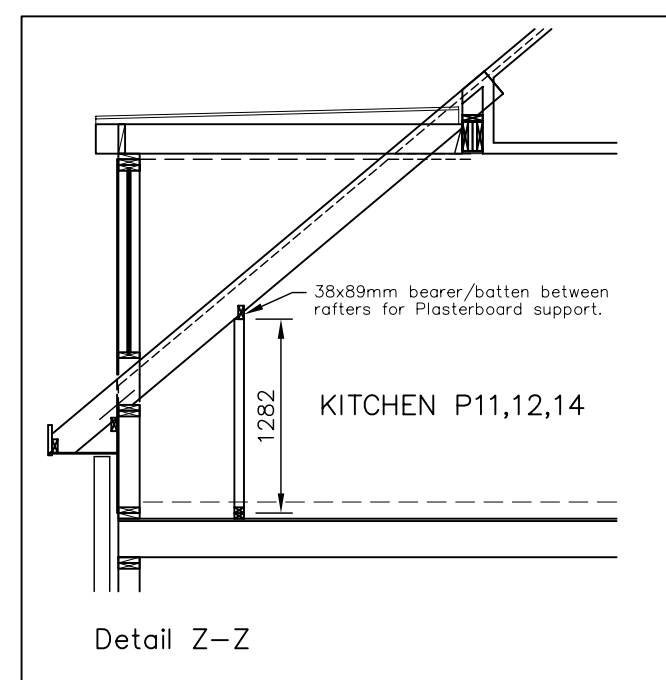
Part 1  
Part 2



NOTE: PANEL REFERENCES CONTAIN THE FLAT NUMBER AT THE END AND ARE NOT TO BE REPLICATED ANYWHERE ELSE.

IN 0? -03 DENOTES GROUND FLOOR  
IN 1?? -08 DENOTES FIRST FLOOR  
IN 2?? -13 DENOTES SECOND FLOOR

PANEL TYPE      FLAT NUMBER  
↑                      ↑  
PANEL NUMBER



FOR CONSTRUCTION

PRELIMINARY

FOR APPROVAL

Rev.	Date	Amendment
Client <b>ANOTHER GOOD DESIGN</b>		
Site <b>SOMEWHERE NICE</b>		
Drawing Title <b>SECOND FLOOR PANELS</b>		
F14 LASYARD HOUSE, UNDERHILL ST BRIDGNORTH, SHROPSHIRE, WY16 4BB TEL: 01746 765836 FAX: 01746 769273 E-MAIL: INFO@SPENCERJONESDESIGN.CO.UK		
Scale 1/50 A2	Date MAR 2008	Drawn SD
Cont. No. PW08/03	Chk. E15(2)	